



CABLE 139 RF: RF CABLE ASSEMBLY, IPEX MHF + TNC STRAIGHT BULKHEAD JACK WITH O-RING + 1.37MM CABLE

SPECIFICATIONS :

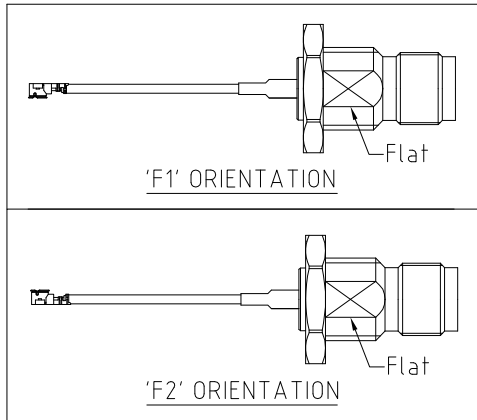
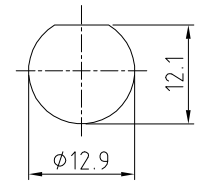
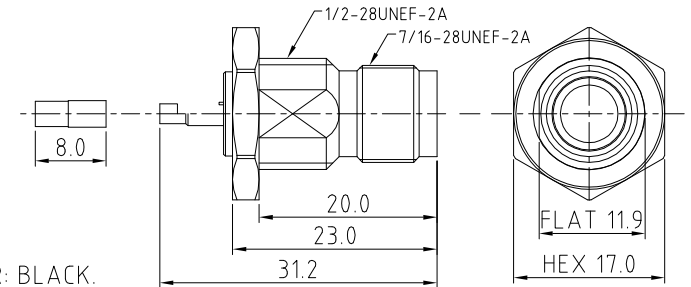
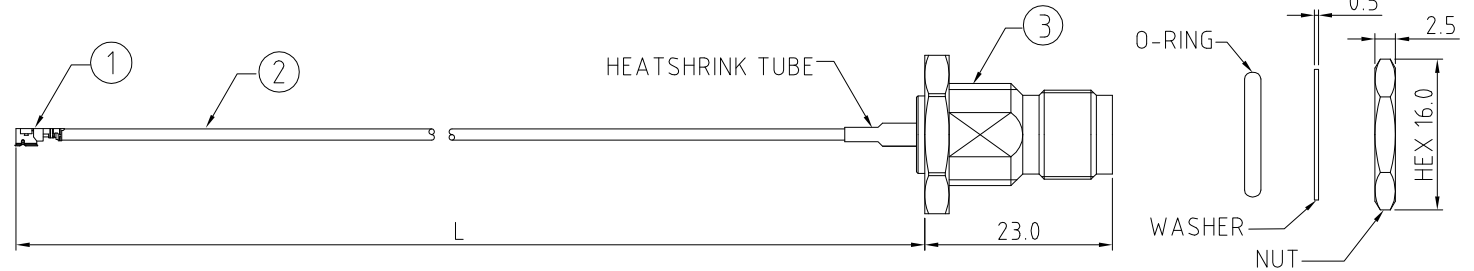
1. IPEX MHF PLUG (20351-112R-37)
2. COAXIAL CABLE, SEE CABLE SIZE OPTIONS.
3. TNC STRAIGHT BULKHEAD JACK WITH O-RING (C18CDWS178003C)

NOTES:

1. THE ORIENTATION OF CONNECTORS ON DRAWING IS FOR REFERENCE ONLY, IF THE ORDER IS LEFT BLANK THE CONNECTOR WILL NOT HAVE FIXED ORIENTATION.
2. FIXED ORIENTATION IS SUGGESTED FOR CABLE LENGTH 25MM TO 200MM. PLEASE SPECIFY THE FIXED ORIENTATIONS FROM THE ORDER CODE (F1, F2, ETC)
3. CONTACT GRAD CONN IF THE ORIENTATION YOU REQUIRE IS NOT SHOWN.
4. WORKING FREQUENCY RANGE: DC-3GHz

USAGE PRECAUTIONS: CABLES USING 'MICRO' COAX ARE DELICATE:

- (i) HANDLE WITH CARE.
- (ii) DO NOT TWIST; APPLY EXCESSIVE FORCES OR SHARP BENDS TO THE CABLE. DO NOT FORCEFULLY DEFORM WIRES.
- (iii) CONSULT CONNECTOR MANUFACTURER'S DATASHEETS FOR DETAILED NOTES ON HANDLING INSTRUCTIONS.



HOW TO ORDER

CABLE 139 RF - XXX - X - XX - 1

"L" LENGTH IN MM  
 eg: 100MM = 100  
 (MIN. 025-MAX.400)  
 STANDARD = 100, 150, 200)  
 Tolerance: <50mm : ±2mm.  
 51-200mm: ±5mm.  
 201-400mm: ±7mm.

CABLE SIZE OPTIONS:  
 1 = Ø1.37MM CABLE, COLOR: BLACK.

BLANK = DOES NOT HAVE A FIXED ORIENTATION  
 F1 = MHF CONNECTION DOWN (L=25-200MM)  
 F2 = MHF CONNECTION UP (L=25-200MM)  
 (SEE NOTES 1, 2, 3 AND DIAGRAMS FOR MORE INFORMATION)

WASHER AND NUT OPTIONS:  
 BLANK = SEPERATELY PACKED (STANDARD)  
 A = ASSEMBLED WITH CONNECTOR

TNC DETAIL DRAWING

RECOMMENDED TNC MOUNTING HOLE

REV. DATE & DRN  
 10 03/09/12 - NYW RELEASE  
 11 08/06/16 - NYW REMOVE 139 CABLE, ADD 137 CABLE OPTION.  
 12 08/06/17 - NYW AHEAD TNC MOUNTING HOLE SIZE

Scale: NTS	THIRD ANGLE	Unstated X .XX .XXX ANGLES	Tolerances: ±0.2 ±0.1 ±0.05 ±5	Material SEE NOTE
Drawn: NYW				
App'd: XXX	Title: CABLE ASSEMBLY	NOT TO SCALE		
Date: 8 JUN. '17	Revision: 1.2	Unit: mm		

www.gradconn.com

THIS DRAWING IS CONFIDENTIAL AND MUST NOT BE COPIED OR DISCLOSED WITHOUT WRITTEN CONSENT

Type: Cable 139 RF
CABLE 139 RF
Drawing Number:
Sheet 1 of 1
Drawing © E and O E